



Bi-Sonic

EC 12038-04



SIZE:

120mm×120mm×38mm(4.72"×4.72"×1.50")

CONSTRUCTION:

Glass fiber reinforced plastic:
Impeller and housing PBT are UL 94V-0 rating

DIELECTRIC STRENGTH:

WITHSTANDING at 1400V AC 60Hz one minute
(between frame and terminal)

INSULATION RESISTANCE

10mega Ohm min.at 500 VDC (between frame and terminal)

OPERATING TEMPERATURE:

Ball bearing: -10°C to +75°C

FUNCTION(Optional):

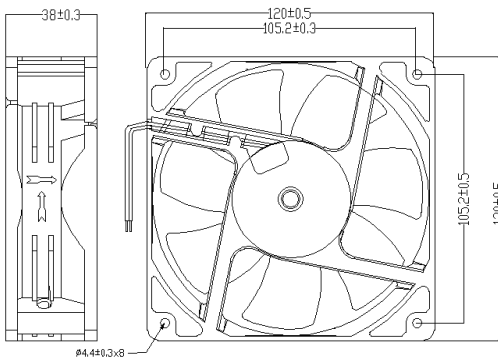
WEIGHT:

250 grams

Specifications:

MODEL NO.	BEARING	RATED		OPERATING		MAX. INPUT POWER	SPEED	MAX. AIR FLOW		MAX. AIR PRESSURE		NOISE	
		VOLTAGE	FREQUENCY	VOLTAGE RANGE	CURRENT			R.P.M.	m3/min	CFM	mmH2O		inH2O
EC12038LB-04	Ball	110 220	50/60	90~250	60 41	3.2	1900	2.25	79.2	3.5	0.14	29.5	
EC12038LB-04	Ball	110 220	50/60	90~250	60 41	4.5	2100	2.55	89.9	4.26	0.17	33.9	
EC12038MB-04	Ball	110 220	50/60	90~250	90 60	7	2600	3.04	107.1	6	0.24	39	
EC12038HB-04	Ball	110 220	50/60	90~250	120 80	14.8	3600	4.32	152.2	12.2	0.48	48	

Dimensions (mm)



Performance Curve

