



DC 9225-02



SIZE :

92x92x25mm (3.62"x3.62"x0.98")

CONSTRUCTION :

Glass fiber reinforced plastic:
Impeller and housing PBT are UL 94V-0 rating

OPERATING TEMPERATURE :

Ball bearing - 30°C to +75°C
Sleeve bearing - 10°C to +70°C

INSULATION RESISTANCE :

10meg Ohm min. at 500 VDC
(between frame and terminal)

DIELECTRIC STRENGTH :

5mA max. at 500 VAC 60Hz one minute
(between frame and terminal)

FUNCTION :

auto-restart option
frequency generator or rotation detection signal option

WEIGHT :

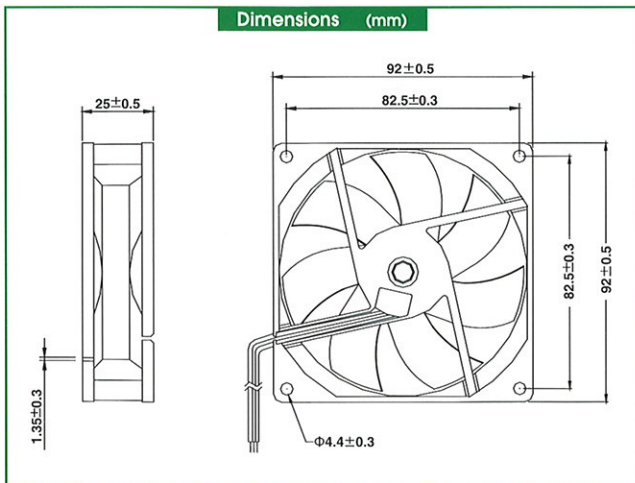
120 grams

Specifications

Specifications are subject to change without notice

MODEL NO.	BEARING	RATED VOLTAGE	OPERATING VOLTAGE RANGE	RATED CURRENT	RATED INPUT POWER	SPEED R.P.M.	MAX. AIR FLOW		MAX. AIR PRESSURE		NOISE dB-A
		VDC	V	A	W		m ³ /min	CFM	mmH ₂ O	IN H ₂ O	
BP922512L-02 SP922512L-02	Ball Sleeve	12	10.2-13.2	0.16	1.92	2000	1.1	39.6	1.1	0.04	30.3
BP922512M-02 SP922512M-02	Ball Sleeve	12	10.2-13.2	0.20	2.40	2500	1.5	52.0	3.3	0.1	36.0
BP922512H-02 SP922512H-02	Ball Sleeve	12	10.2-13.8	0.32	3.84	3000	1.8	63.6	4.8	0.2	40.3
BP922512HH-02 SP922512HH-02	Ball Sleeve	12	10.2-13.8	0.60	7.20	3600	2.0	71.0	5.6	0.2	48.4
BP922524L-02 SP922524L-02	Ball Sleeve	24	20.4-27.6	0.15	3.60	2000	1.1	39.6	1.1	0.04	30.3
BP922524H-02 SP922524H-02	Ball Sleeve	24	20.4-27.6	0.22	5.28	3000	1.8	63.6	4.8	0.2	40.3
BP922524HH-02 SP922524HH-02	Ball Sleeve	24	12-27.6	0.40	9.60	3500	1.9	68.4	5.4	0.2	45.8

Dimensions (mm)



Performance Curve

