



**SIZE :**

70x70x10mm (2.76"x2.76"x0.39")

**CONSTRUCTION :**

Glass fiber reinforced plastic:  
Impeller and housing PBT are UL 94V-0 rating

**OPERATING TEMPERATURE :**

Ball bearing - 30°C to +75°C  
Sleeve bearing - 10°C to +70°C

**INSULATION RESISTANCE :**

10meg Ohm min. at 500 VDC  
(between frame and terminal)

**DIELECTRIC STRENGTH :**

5mA max. at 500 VAC 60Hz one minute  
(between frame and terminal)

**FUNCTION :**

auto-restart option  
frequency generator signal option

**WEIGHT :**

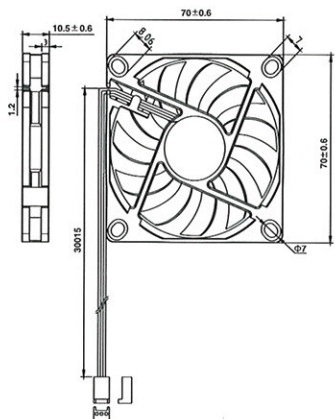
35 grams

**Specifications**

Specifications are subject to change without notice

MODEL NO.	BEARING	RATED VOLTAGE	OPERATING VOLTAGE RANGE	RATED CURRENT	RATED INPUT POWER	SPEED R.P.M.	MAX. AIR FLOW		MAX. AIR PRESSURE		NOISE dB-A
		VDC	V	A	W		m <sup>3</sup> min	CFM	mmH <sub>2</sub> O	IN H <sub>2</sub> O	
BP701005M	Ball	5	4.5-5.7	0.25	1.25	3200	0.5	17.9	1.5	0.1	33.0
SP701005M	Sleeve										
BP701005H	Ball	5	4.5-5.7	0.35	1.75	3800	0.7	23.0	2.4	0.1	35.4
SP701005H	Sleeve										
BP701012M	Ball	12	10.2-13.8	0.25	3.00	3200	0.5	17.9	1.5	0.1	29.0
SP701012M	Sleeve										
BP701012H	Ball	12	10.2-13.8	0.35	4.20	4300	0.6	22.6	2.5	0.1	37.6
SP701012H	Sleeve										

Dimensions (mm)



Performance Curve

