

AC 5E Laser welding



SIZE :

170x150x55mm (6.69"x5.91"x2.17")

CONSTRUCTION :

- Die-cast aluminum housing
- Metal impeller or
Glass fiber reinforced plastic:
Impeller are UL 94V-0 rating
- Shaded pole motor
- Impedance protected
- Leader wire available
(between frame and terminal)

OPERATING TEMPERATURE :

Ball bearing - 30°C to +75°C

WEIGHT :

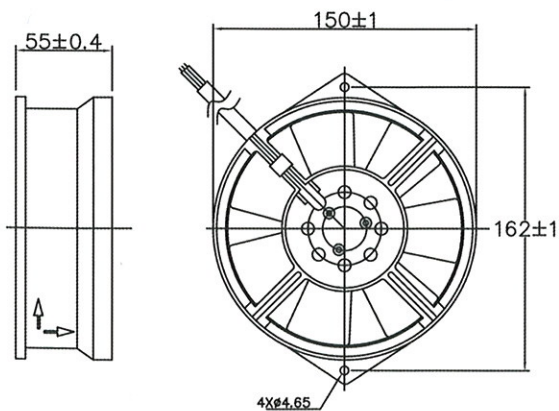
1000 grams

Specifications

Specifications are subject to change without notice

MODEL NO.	BEARING	RATED VOLTAGE	FREQUENCY	MAX. RATED CURRENT	MAX. INPUT POWER	SPEED	MAX. AIR FLOW		MAX. AIR PRESSURE		NOISE
							m ³ /min	CFM	mmH ₂ O	IN H ₂ O	
5E-115B	直焊 Ball	115	50/60	640/540	48/46	2750/3100	5.7/6.8	200/240	13.0/15.5	0.5/0.6	52/56
5E-230B	直焊 Ball	230	50/60	300/280	46/44	2750/3100	5.7/6.8	200/240	13.0/15.5	0.5/0.6	52/56
5E-230B	RD Ball	230	50/60	300/280	46/44	2750/3100	5.7/6.8	200/240	13.0/15.5	0.5/0.6	52/56
5E-380B	直焊 Ball	380	50/60	300/280	46/44	2750/3100	5.7/6.8	200/240	13.0/15.5	0.5/0.6	52/56

Dimensions (mm)



Performance Curve

