



**AC 4E-02**



**SIZE :**

119x119x38mm (4.69"x4.69"x1.50")

**CONSTRUCTION :**

- Die-cast aluminum housing
- Metal impeller or
- Shaded pole motor
- Impedance protected
- Leader wire or Terminal is available

**OPERATING TEMPERATURE :**

Ball bearing - 30°C to +75°C  
 Sleeve bearing - 10°C to +70°C

**WEIGHT :**

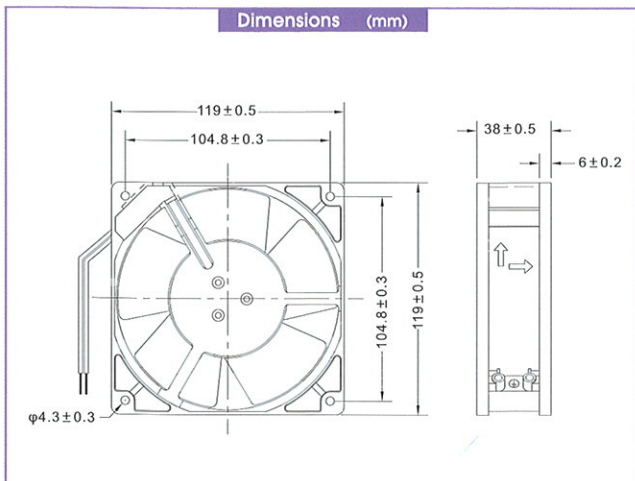
600 grams

**Specifications**

Specifications are subject to change without notice

MODEL NO.	BEARING	RATED VOLTAGE	FREQUENCY	MAX. RATED CURRENT	MAX. INPUT POWER	SPEED	MAX. AIR FLOW		MAX. AIR PRESSURE		NOISE
		VAC	Hz	mA	W	R.P.M.	m <sup>3</sup> /min	CFM	mmH <sub>2</sub> O	IN H <sub>2</sub> O	
4E-115B-21-02	Ball	115	50/60	230/220	22/20	2000/2200	2.2/2.3	79/82	3.4/3.0	0.1/0.1	39/41
4E-115S-21-02	Sleeve										
4E-230B-21-02	Ball	230	50/60	130/120	20/19	2000/2200	2.2/2.3	79/82	3.4/3.0	0.1/0.1	39/41
4E-230S-21-02	Sleeve										
4E-115HB-02	Ball	115	50/60	250/240	24/22	2700/3000	2.6/3.0	92.8/106	7.0/6.1	0.3/0.2	46/50
4E-115HS-02	Sleeve										
4E-230HB-02	Ball	230	50/60	140/130	22/21	2700/3000	2.6/3.0	92.8/106	7.0/6.1	0.3/0.2	46/50
4E-230HS-02	Sleeve										

**Dimensions (mm)**



**Performance Curve**

