



SIZE :

80x80x38mm (3.15"x3.15"x1.50")

CONSTRUCTION :

- Die-cast aluminum housing
- Glass fiber reinforced plastic:
Impeller are UL 94V-0 rating
- Shaded pole motor
- Impedance protected
- Leader wire or Terminal is available

OPERATING TEMPERATURE :

Ball bearing - 30°C to +75°C

Sleeve bearing - 10°C to +70°C

WEIGHT :

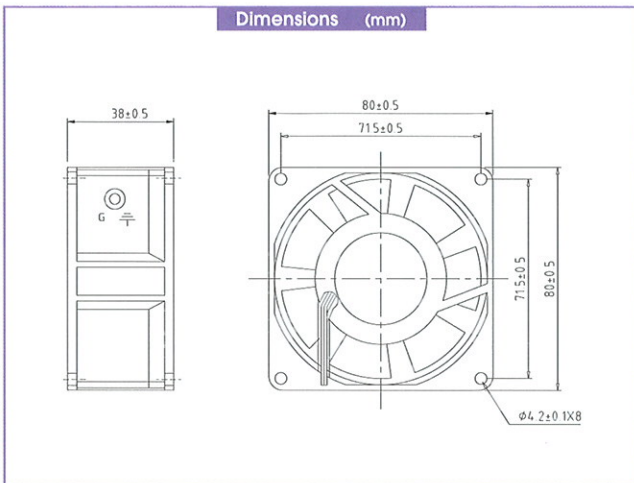
330 grams

Specifications

Specifications are subject to change without notice

MODEL NO.	BEARING	RATED VOLTAGE	FREQUENCY	MAX. RATED CURRENT	MAX. INPUT POWER	SPEED	MAX. AIR FLOW		MAX. AIR PRESSURE		NOISE
		VAC	Hz	mA	W	R.P.M.	m ³ /min	CFM	mmH ₂ O	IN H ₂ O	dB-A
3C-115HB	Ball	115	50/60	180/150	15/12	2600/3000	0.7/0.9	26/31.1	3.2/4.5	0.1/0.2	30/36
3C-115HS	Sleeve										
3C-230HB	Ball	230	50/60	90/75	15/12	2600/3000	0.7/0.9	26/31.1	3.2/4.5	0.1/0.2	29/35
3C-230HS	Sleeve										
3C-DVB	Ball	115/230	50/60	200/170	15/12	2600/3000	0.7/0.9	26/31.1	3.2/4.5	0.1/0.2	30/36
3C-DVS	Sleeve			110/100							29/35

Dimensions (mm)



Performance Curve

