



Bi-Sonic



AC 25489 Round Frame

SIZE:

254mm×254mm×89mm(10.00"×10.00"×3.50")

CONSTRUCTION:

- Die-cast aluminum housing
- Glass fiber reinforced plastic:
Impeller PBT are UL 94V-0 rating
- Capacitor-start motor
- Thermal protected
- Lead wire available

OPERATING TEMPERATURE:

Ball bearing -30°C to +60°C

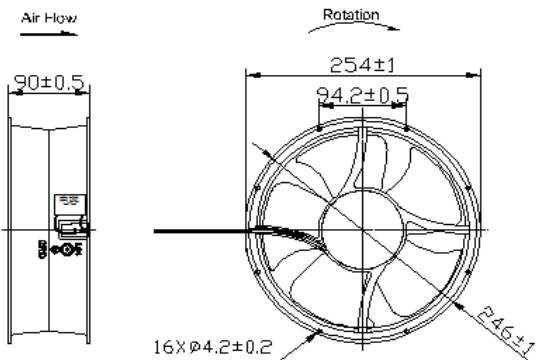
WEIGHT:

2150 grams

Specifications:

MODEL NO.	BEARING	RATED VOLTAGE	FREQUENCY	MAX. CURRENT	MAX.INPUT POWER	SPEED	MAX. AIR FLOW		MAX. AIR PRESSURE		NOISE
		VAC	Hz	mA	W	R.P.M.	m3/min	CFM	mmH2O	inH2O	
25489-230HB	Ball	230	50	270	55	2600	21.6	760	15.7	0.62	68
			60	320	75	2900	23.8	840	19.6	0.77	70

Dimensions (mm)



Performance Curve

